

REPAIR PARTS

AWUF Air Handler

AWUF180316BF
AWUF180316BH
AWUF180516BF
AWUF180516BH
AWUF180816BF
AWUF180816BH
AWUF240516BF
AWUF240516BH
AWUF240816BF
AWUF240816BH
AWUF241016BF
AWUF241016BH
AWUF300516BF
AWUF300516BH
AWUF300816BF
AWUF300816BH
AWUF301016BF
AWUF301016BH
AWUF360516BF
AWUF360516BH
AWUF360816BF
AWUF360816BH
AWUF361016BF
AWUF361016BH



This manual is to be used by qualified technicians only.

© 2023 Goodman Manufacturing Company, L.P. ♦ 19001 Kermier Rd. ♦ Waller, TX 77484

Important Information

Index

Functional Parts List	3
Illustration and Parts	4 - 11

Views shown are for parts illustrations only, not servicing procedures.

Text Codes:

AR - As Required

NA - Not Available

NS - Not Shown

00000000 - See Note

QTY - Quantity Example (QTY 3) (If Quantity not shown, Quantity = 1)

M - Model Example (M1) (If M Code not shown, then part is used on all Models)

Expanded Model Nomenclature:

Example M1 - Model#1 M2 - Model#2 M3 - Model#3

Goodman Manufacturing Company, L.P. is not responsible for personal injury or property damage resulting from improper service. Review all service information before beginning repairs.

Warranty service must be performed by an authorized technician, using authorized factory parts. If service is required after the warranty expires, Goodman Manufacturing Company, L.P. also recommends contacting an authorized technician and using authorized factory parts.

Goodman Manufacturing Company, L.P. reserves the right to discontinue, or change at any time, specifications or designs without notice or without incurring obligations.

For assistance within the U.S.A. contact:
Homeowner Support
Goodman Manufacturing Company, L.P.
19001 Kermier Road
Waller, Texas 77484
877-254-4729-Telephone
713-863-2382-Facsimile

For assistance outside the U.S.A. contact:
International Division
Goodman Manufacturing Company, L.P.
19001 Kermier Road
Waller, Texas 77484
713-861-2500-Telephone
713-863-2382-Facsimile

Functional Parts

Part

No: Description:

BT1420028	ASM, HEATER(SMALL 3KW) (M1)
CAP075000370LA	CAP, 7.5 MFD/370V/OVAL
CONT2P040024V	CONTACTOR 40 AMP, 2P, 24V
BT1420032	ELEMENT, 4.8 KW LARGE HEATER (M13, M19)
BT1420029	ELEMENT, 4.8 KW SMALL HEATER (M3, M7)
BT1420033	ELEMENT, 7.3 KW HEATER (M15, M21)
BT1420030	ELEMENT, 7.3 KW SMALL HEATER (M5, M9)
BT1420034	ELEMENT, 9.8 KW HEATER (M17, M23)
BT1420031	ELEMENT, 9.8 KW SMALL HEATER (M11)
BT1340031	MOTOR, 1/3HP, 2SP, 6PL (M13, M14, M15, M16, M17, M18, M19, M20, M21, M22, M23, M24)
0131A00032	MOTOR, 1/5HP, 2SP, 6PL (M7, M8, M9, M10, M11, M12)
0131A00026	MOTOR, 1/5HP, 2SP, 6PL (M1, M2, M3, M4, M5, M6)
PCBFM132	PCB, TIME DELAY
0130M00138	TRANSFORMER, 208/230, 24V

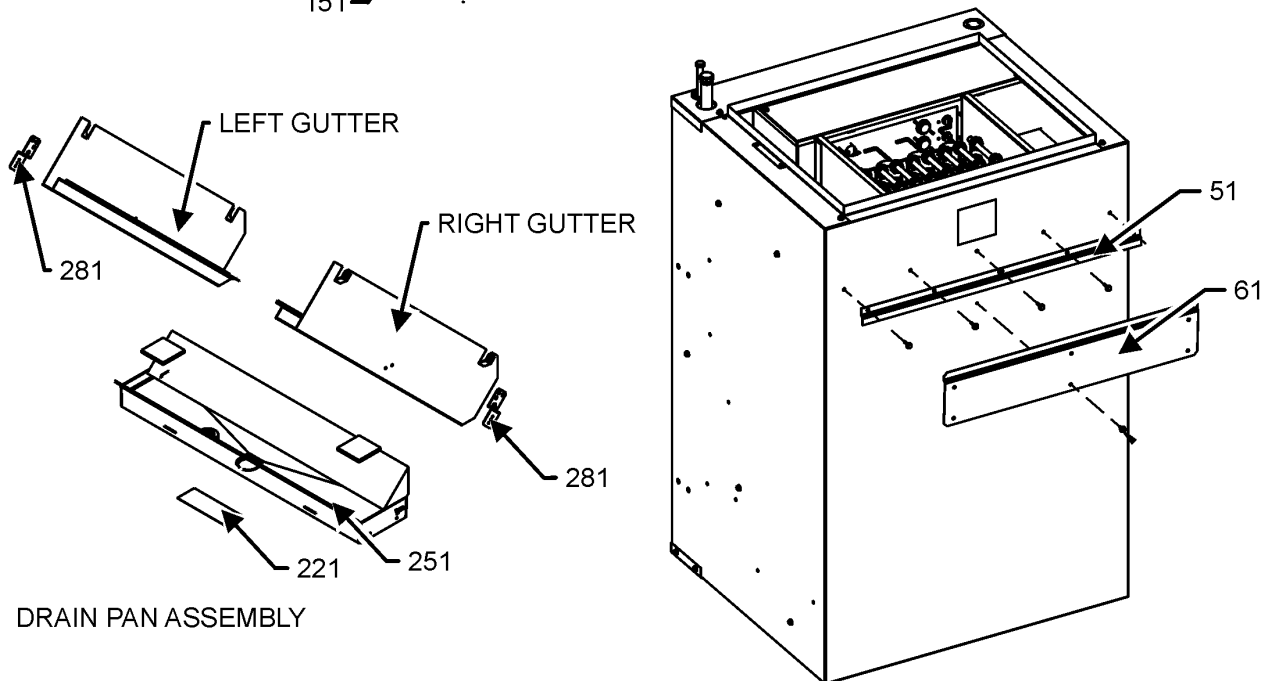
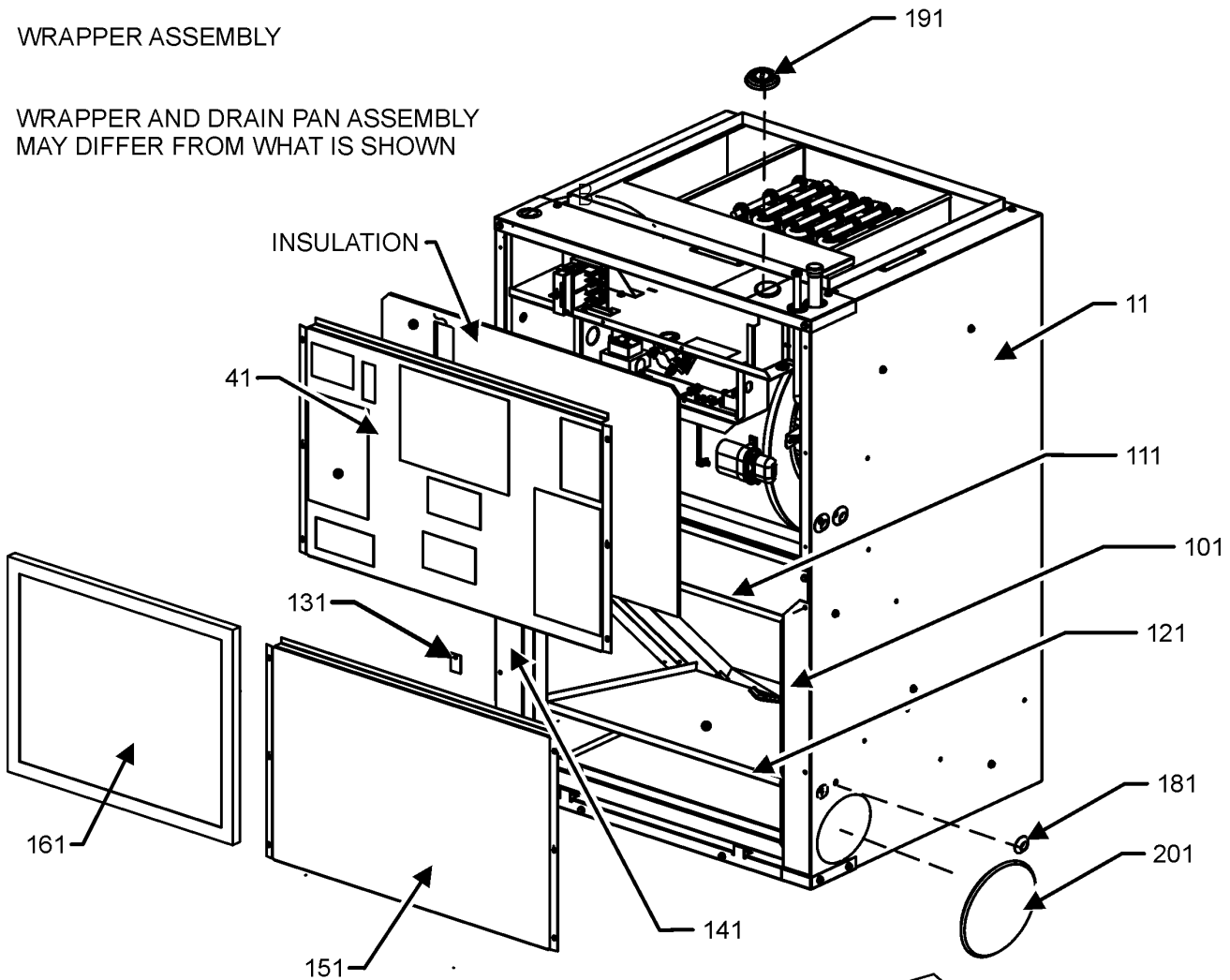
Expanded Model Nomenclature

- | |
|--------------------|
| M1 - AWUF180316BF |
| M2 - AWUF180316BH |
| M3 - AWUF180516BF |
| M4 - AWUF180516BH |
| M5 - AWUF180816BF |
| M6 - AWUF180816BH |
| M7 - AWUF240516BF |
| M8 - AWUF240516BH |
| M9 - AWUF240816BF |
| M10 - AWUF240816BH |
| M11 - AWUF241016BF |
| M12 - AWUF241016BH |
| M13 - AWUF300516BF |
| M14 - AWUF300516BH |
| M15 - AWUF300816BF |
| M16 - AWUF300816BH |
| M17 - AWUF301016BF |
| M18 - AWUF301016BH |
| M19 - AWUF360516BF |
| M20 - AWUF360516BH |
| M21 - AWUF360816BF |
| M22 - AWUF360816BH |
| M23 - AWUF361016BF |
| M24 - AWUF361016BH |

WRAPPER ASSEMBLY

WRAPPER ASSEMBLY

WRAPPER AND DRAIN PAN ASSEMBLY
MAY DIFFER FROM WHAT IS SHOWN



DRAIN PAN ASSEMBLY

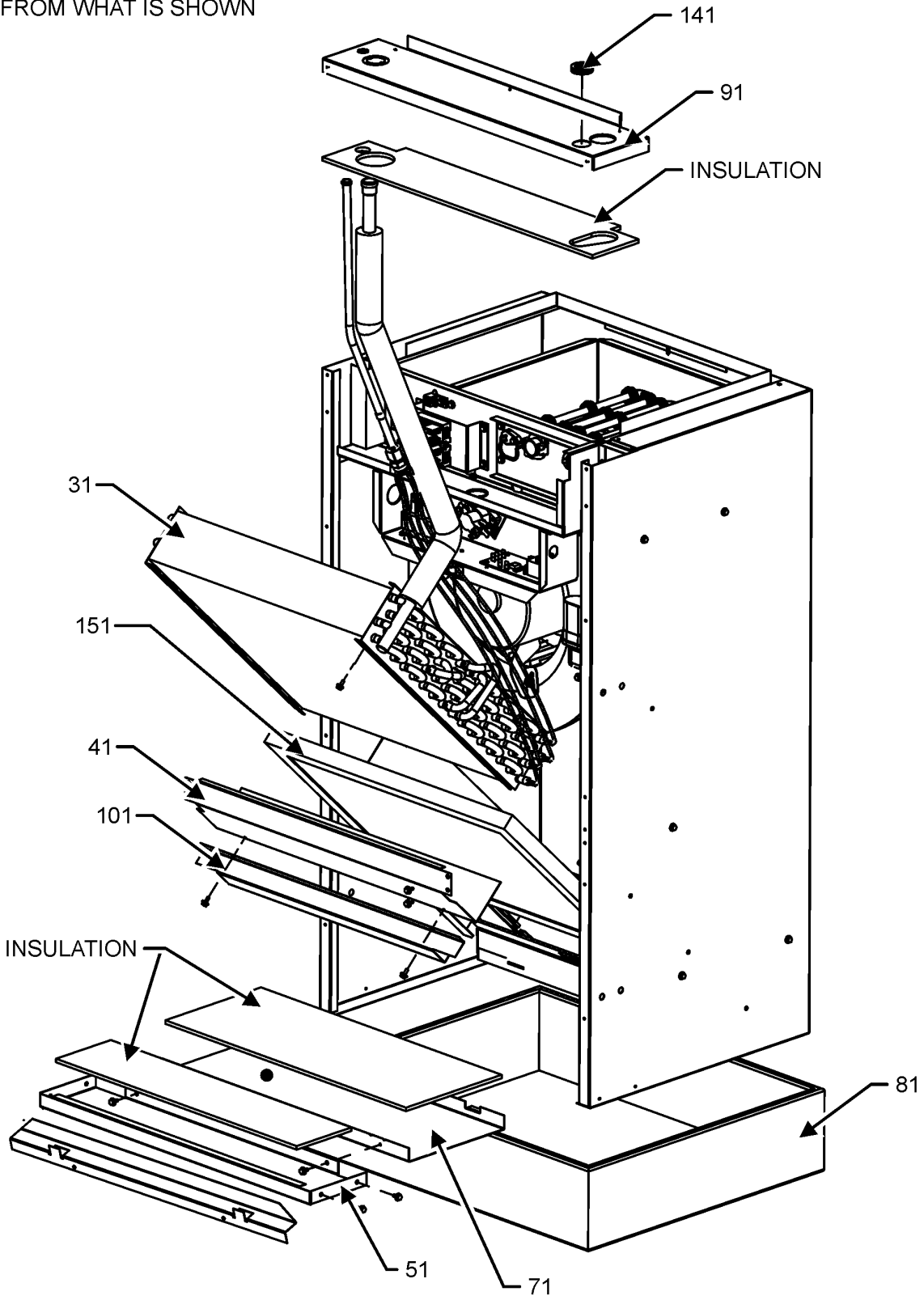
WRAPPER ASSEMBLY

Ref. Part No:	No:	Description:	Ref. Part No:	No:	Description:
<i>Image 1:</i>			Expanded Model Nomenclature		
11	3702005	WRAPPER, LARGE (M13, M14, M15, M16, M17, M18, M19, M20, M21, M22, M23, M24)	M1 -	AWUF180316BF	
11	3702004	WRAPPER, SMALL (M1, M2, M3, M4, M5, M6, M7, M8, M9, M10, M11, M12)	M2 -	AWUF180316BH	
41	3701535	PANEL, LARGE FRONT ACCESS (M13, M14, M15, M16, M17, M18, M19, M20, M21, M22, M23, M24)	M3 -	AWUF180516BF	
41	0121A00450	PANEL, SMALL FRONT ACCESS (M1, M2, M3, M4, M5, M6, M7, M8, M9, M10, M11, M12)	M4 -	AWUF180516BH	
51	3702500	HANGING BRACKET LRG (M13, M14, M15, M16, M17, M18, M19, M20, M21, M22, M23, M24)	M5 -	AWUF180816BF	
51	3702501	HANGING BRACKET SML (M1, M2, M3, M4, M5, M6, M7, M8, M9, M10, M11, M12)	M6 -	AWUF180816BH	
61	3702800	HANGING BRACKET, FIELD	M7 -	AWUF240516BF	
101	0121A01301	BRKT, LEFT FILTER LRG (M13, M14, M15, M16, M17, M18, M19, M20, M21, M22, M23, M24)	M8 -	AWUF240516BH	
111	0121A00042	BRKT, LRG TOP FILTER (M13, M14, M15, M16, M17, M18, M19, M20, M21, M22, M23, M24)	M9 -	AWUF240816BF	
121	3701242	DRIP SHIELD LRG (M13, M14, M15, M16, M17, M18, M19, M20, M21, M22, M23, M24)	M10 -	AWUF240816BH	
131	3701243	BKT, LRG RETAINER (M13, M14, M15, M16, M17, M18, M19, M20, M21, M22, M23, M24)	M11 -	AWUF241016BF	
141	0121A01302	BRKT, RIGHT FILTER (M13, M14, M15, M16, M17, M18, M19, M20, M21, M22, M23, M24)	M12 -	AWUF241016BH	
151	3701505	LOWER ACCESS PANEL-FRONT (M1, M2, M3, M4, M5, M6, M7, M8, M9, M10, M11, M12)	M13 -	AWUF300516BF	
161	0160L00139	AIR FILTER (M1, M2, M3, M4, M5, M6, M7, M8, M9, M10, M11, M12)	M14 -	AWUF300516BH	
161	0160L00388	AIR FILTER 18X20X1 (M13, M14, M15, M16, M17, M18, M19, M20, M21, M22, M23, M24)	M15 -	AWUF300816BF	
181	0161A00068	PLUG-BUTTON (QTY 2)	M16 -	AWUF300816BH	
191	0161A00067	FLUSH PLUG	M17 -	AWUF301016BF	
201	0161A00068	PLUG-BUTTON (QTY 2)	M18 -	AWUF301016BH	
221	0128R00007	SHIELD, DRAINPAN	M19 -	AWUF360516BF	
251	0161R00021	DRAIN PAN LARGE (M13, M14, M15, M16, M17, M18, M19, M20, M21, M22, M23, M24)	M20 -	AWUF360516BH	
251	0161R00022	DRAIN PAN SMALL (M1, M2, M3, M4, M5, M6, M7, M8, M9, M10, M11, M12)	M21 -	AWUF360816BF	
281	3701805	BRACKET, OFFSET (QTY 2)	M22 -	AWUF360816BH	
NS	3701203	FILTER SUPPORT SML (M1, M2, M3, M4, M5, M6, M7, M8, M9, M10, M11, M12)	M23 -	AWUF361016BF	
			M24 -	AWUF361016BH	

EVAPORATOR COIL ASSEMBLY

EVAPORATOR COIL ASSEMBLY

EVAPORATOR COIL ASSEMBLY MAY DIFFER FROM WHAT IS SHOWN

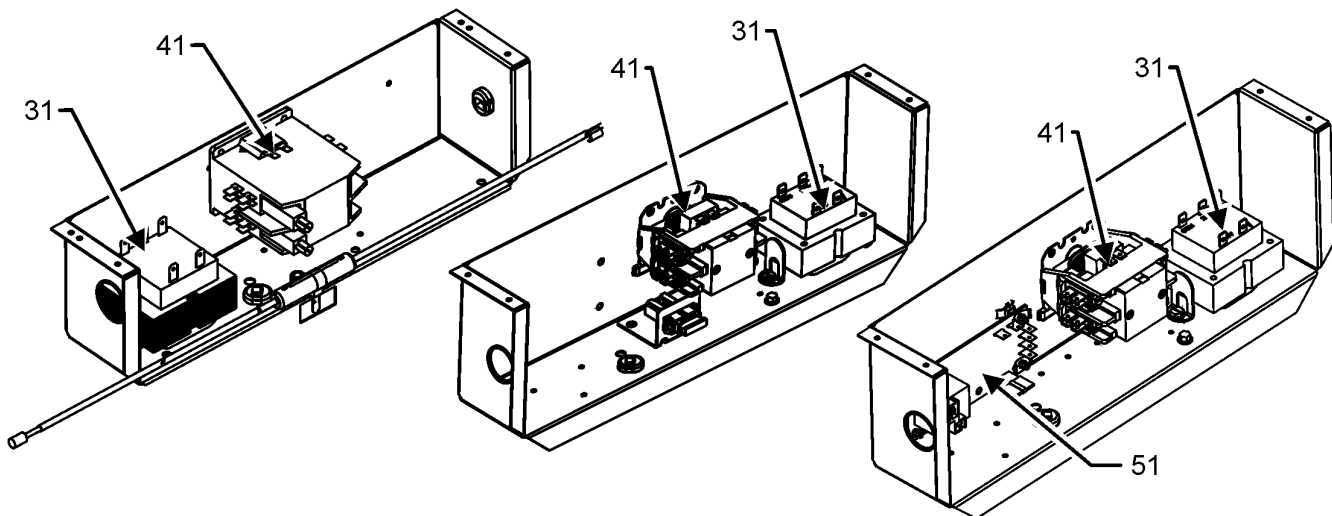
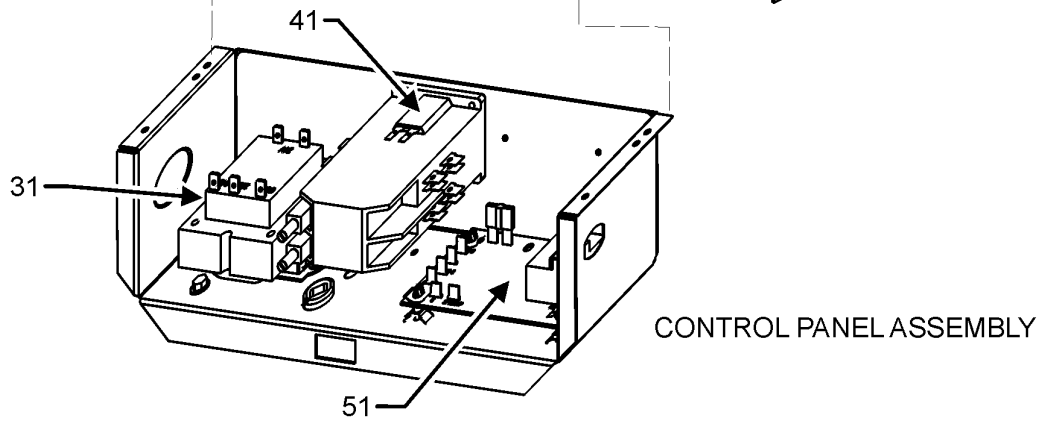
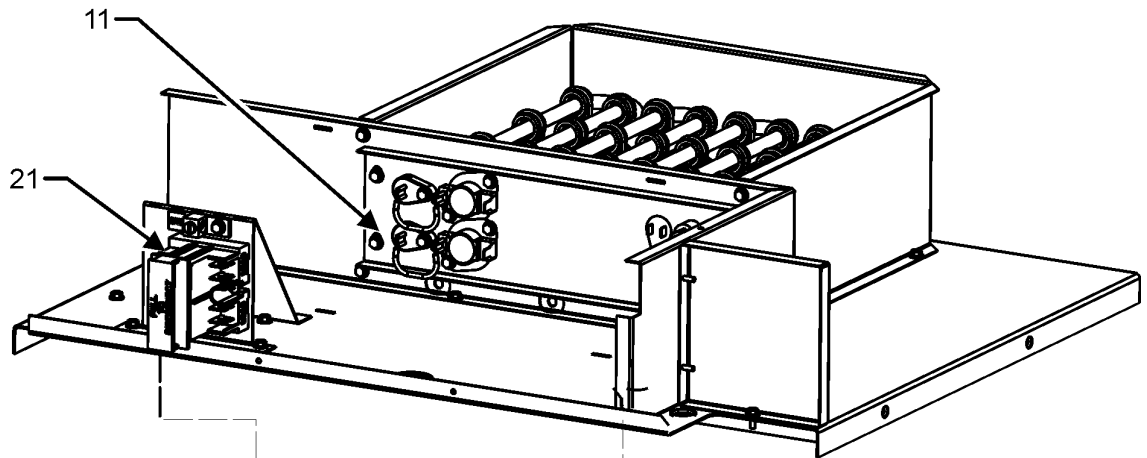


EVAPORATOR COIL ASSEMBLY

Ref. Part No:	Part No:	Description:	Ref. Part No:	Part No:	Description:
<i>Image 1:</i>			Expanded Model Nomenclature		
31	0270A01154	COIL TUBING ASSY (M1, M2, M3, M4, M5, M6)	M1	-	AWUF180316BF
31	0270A01165	COIL TUBING ASSY (M7, M8, M9, M10, M11, M12)	M2	-	AWUF180316BH
31	0270A01167	COIL TUBING ASSY (M13, M14, M15, M16, M17, M18)	M3	-	AWUF180516BF
31	0270A01169	COIL TUBING ASSY (M19, M20, M21, M22, M23, M24)	M4	-	AWUF180516BH
51	0121A01223	PLATE, BOTTOM TIE (M13, M14, M15, M16, M17, M18, M19, M20, M21, M22, M23, M24)	M5	-	AWUF180816BF
51	0121A01224	PLATE, BOTTOM TIE (M1, M2, M3, M4, M5, M6, M7, M8, M9, M10, M11, M12)	M6	-	AWUF180816BH
71	3701500	ACCESS PANEL, DRAIN LRG (M13, M14, M15, M16, M17, M18, M19, M20, M21, M22, M23, M24)	M7	-	AWUF240516BF
71	3701502	ACCESS PANEL, DRAIN SML (M1, M2, M3, M4, M5, M6, M7, M8, M9, M10, M11, M12)	M8	-	AWUF240516BH
81	BT1700051	CAP; LG. AIR HANDLER BOTTOM (M13, M14, M15, M16, M17, M18, M19, M20, M21, M22, M23, M24)	M9	-	AWUF240816BF
81	BT1700050	CAP; SM. AIR HANDLER BOTTOM (M1, M2, M3, M4, M5, M6, M7, M8, M9, M10, M11, M12)	M10	-	AWUF240816BH
91	3702105	TOP WRAPPER LRG (M13, M14, M15, M16, M17, M18, M19, M20, M21, M22, M23, M24)	M11	-	AWUF241016BF
91	3702104	TOP WRAPPER SML (M1, M2, M3, M4, M5, M6, M7, M8, M9, M10, M11, M12)	M12	-	AWUF241016BH
101	3701802	FILTER OFFSET BRACKET SML (M1, M2, M3, M4, M5, M6, M7, M8, M9, M10, M11, M12)	M13	-	AWUF300516BF
141	0164A00002	GROMMET	M14	-	AWUF300516BH
151	0160L00139	AIR FILTER (M1, M2, M3, M4, M5, M6, M7, M8, M9, M10, M11, M12)	M15	-	AWUF300816BF
151	0160L00388	AIR FILTER 18X20X1 (M13, M14, M15, M16, M17, M18, M19, M20, M21, M22, M23, M24)	M16	-	AWUF300816BH
NS	0163M00175	CAP WITH O-RING	M17	-	AWUF301016BF
NS	0151M00104	VALVE CORE	M18	-	AWUF301016BH
			M19	-	AWUF360516BF
			M20	-	AWUF360516BH
			M21	-	AWUF360816BF
			M22	-	AWUF360816BH
			M23	-	AWUF361016BF
			M24	-	AWUF361016BH

HEATER PANEL ASSEMBLY

HEATER PANEL ASSEMBLY



ALTERNATE CONTROL PANEL ASSEMBLIES

CONTROL PANEL ASSEMBLY MAY DIFFER FROM WHAT IS SHOWN

HEATER PANEL ASSEMBLY

Ref. Part No:	Part No:	Description:	Ref. Part No:	Part No:	Description:
---------------	----------	--------------	---------------	----------	--------------

Image 1:

11	BT1420028	ASM, HEATER(SMALL 3KW) (M1)			
11	BT1420032	ELEMENT, 4.8 KW LARGE HEATER (M13, M19)			
11	BT1420029	ELEMENT, 4.8 KW SMALL HEATER (M3, M7)			
11	BT1420033	ELEMENT, 7.3 KW HEATER (M15, M21)			
11	BT1420030	ELEMENT, 7.3 KW SMALL HEATER (M5, M9)			
11	BT1420034	ELEMENT, 9.8 KW HEATER (M17, M23)			
11	BT1420031	ELEMENT, 9.8 KW SMALL HEATER (M11)			
21	0130A00167	DISCONNECT, PULL OUT (M1, M3, M5, M7, M9, M11, M13, M15, M17, M19, M21, M23)			
31	0130M00138	TRANSFORMER, 208/230, 24V			
41	CONT2P040024V	CONTACTOR 40 AMP, 2P, 24V			
51	PCBFM132	PCB, TIME DELAY			
NS	0121A01591	BKT, LRG DISCONNECT MTG (M13, M15, M17, M19, M21, M23)			
NS	3701537	BKT, SML DSCNCT MTG (M1, M3, M5, M7, M9, M11)			

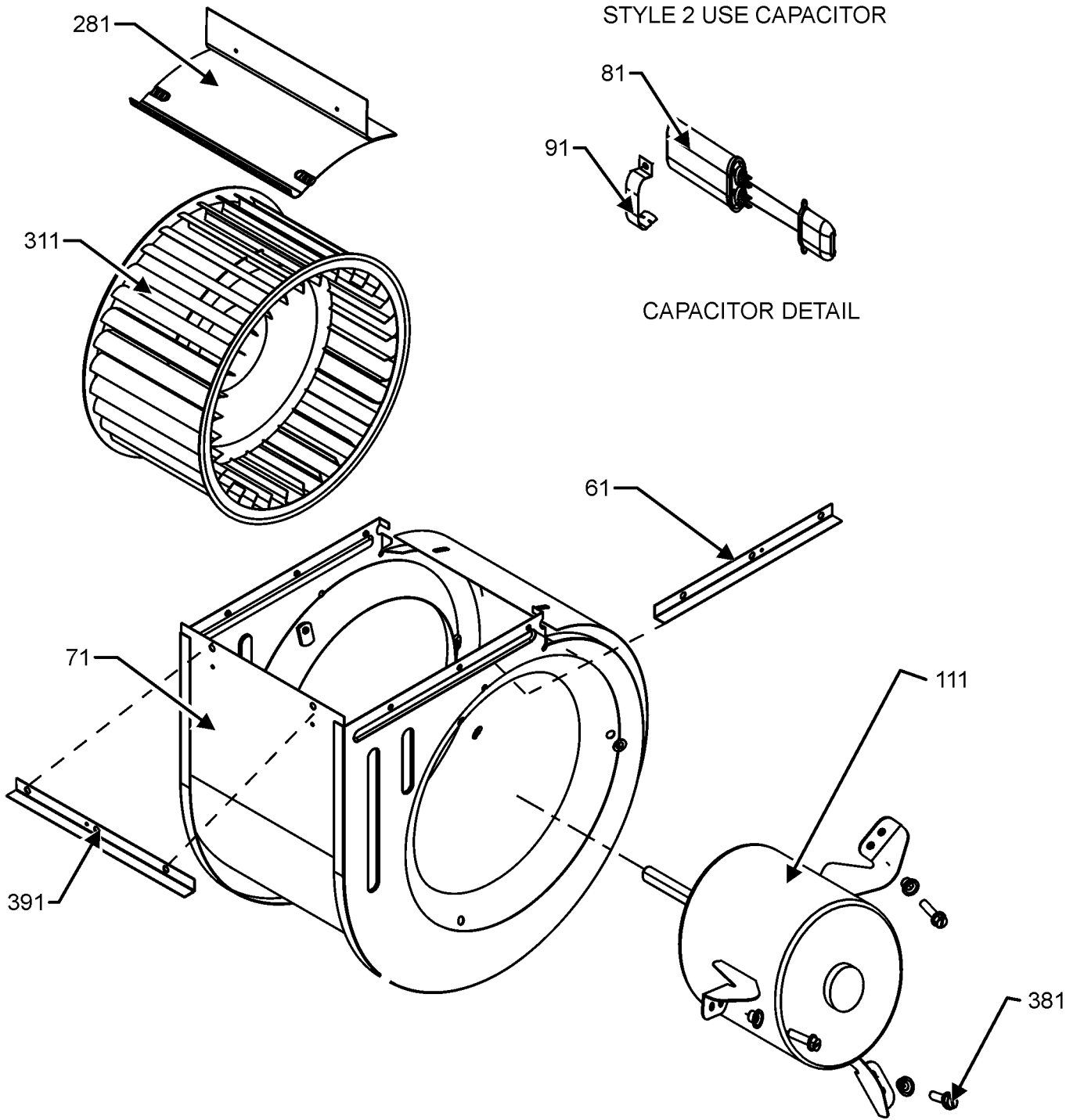
Expanded Model Nomenclature

M1 - AWUF180316BF
M2 - AWUF180316BH
M3 - AWUF180516BF
M4 - AWUF180516BH
M5 - AWUF180816BF
M6 - AWUF180816BH
M7 - AWUF240516BF
M8 - AWUF240516BH
M9 - AWUF240816BF
M10 - AWUF240816BH
M11 - AWUF241016BF
M12 - AWUF241016BH
M13 - AWUF300516BF
M14 - AWUF300516BH
M15 - AWUF300816BF
M16 - AWUF300816BH
M17 - AWUF301016BF
M18 - AWUF301016BH
M19 - AWUF360516BF
M20 - AWUF360516BH
M21 - AWUF360816BF
M22 - AWUF360816BH
M23 - AWUF361016BF
M24 - AWUF361016BH

BLOWER ASSEMBLY

BLOWER ASSEMBLY

MODELS WITH BLOWER MOTOR
STYLE 2 USE CAPACITOR



BLOWER ASSEMBLY

Ref. Part		Ref. Part	
No:	No:	Description:	Description:
Image 1:			
61	3702705	ANGLE, 10" BLOWER (M13, M14, M15, M16, M17, M18, M19, M20, M21, M22, M23, M24)	M1 - AWUF180316BF
61	3702700	ANGLE, 9" BLOWER (M1, M2, M3, M4, M5, M6, M7, M8, M9, M10, M11, M12)	M2 - AWUF180316BH
71	3760200	WELDMENT, BLWR HSG. (M1, M2, M3, M4, M5, M6, M7, M8, M9, M10, M11, M12)	M3 - AWUF180516BF
71	3760202	WELDMENT, BLWR HSG. (M13, M14, M15, M16, M17, M18, M19, M20, M21, M22, M23, M24)	M4 - AWUF180516BH
81	CAP075000370LA	CAP, 7.5 MFD/370V/OVAL	M5 - AWUF180816BF
91	3784800	CAPACITOR STRAP	M6 - AWUF180816BH
111	BT1340031	MOTOR, 1/3HP, 2SP, 6PL (M13, M14, M15, M16, M17, M18, M19, M20, M21, M22, M23, M24)	M7 - AWUF240516BF
111	0131A00032	MOTOR, 1/5HP, 2SP, 6PL (M7, M8, M9, M10, M11, M12)	M8 - AWUF240516BH
111	0131A00026	MOTOR, 1/5HP, 2SP, 6PL (M1, M2, M3, M4, M5, M6)	M9 - AWUF240816BF
281	3739000	BLOWER CUT-OFF 6" (M1, M2, M3, M4, M5, M6, M7, M8, M9, M10, M11, M12)	M10 - AWUF240816BH
281	3739002	BLOWER CUT-OFF LRG (M13, M14, M15, M16, M17, M18, M19, M20, M21, M22, M23, M24)	M11 - AWUF241016BF
311	B1368042	BLOWER WHEEL (9 X 6) (M1, M2, M3, M4, M5, M6)	M12 - AWUF241016BH
311	B1368036	WHEEL, BLOWER, 9X8 (M13, M14, M15, M16, M17, M18, M19, M20, M21, M22, M23, M24)	M13 - AWUF300516BF
311	0150M00061	WHEEL, BLOWER (M7, M8, M9, M10, M11, M12)	M14 - AWUF300516BH
381	M0250558	SCREW-TC H (QTY 3)	M15 - AWUF300816BF
391	3702702	BLOWER ANGLE 6.063" (M1, M2, M3, M4, M5, M6, M7, M8, M9, M10, M11, M12)	M16 - AWUF300816BH
391	3702701	BLOWER ANGLE 8.531" (M13, M14, M15, M16, M17, M18, M19, M20, M21, M22, M23, M24)	M17 - AWUF301016BF
			M18 - AWUF301016BH
			M19 - AWUF360516BF
			M20 - AWUF360516BH
			M21 - AWUF360816BF
			M22 - AWUF360816BH
			M23 - AWUF361016BF
			M24 - AWUF361016BH